

# F30 Sidewinder

YewdaleDefiant® Insect Screens

yewdaleDefiant®  
FABRIC AND BLIND SYSTEMS



## F30 Sidewinder

### Features:

The YewdaleDefiant® F30 retractable insect screen utilises a simple bead-chain sidewinder control as standard. White metal universal brackets for secure top fixing with powder-coated extruded aluminium cassette and side guide channels. Rot-proof PVC coated fibreglass mesh is locked into the barrel and bottom bar profile.

### Benefits:

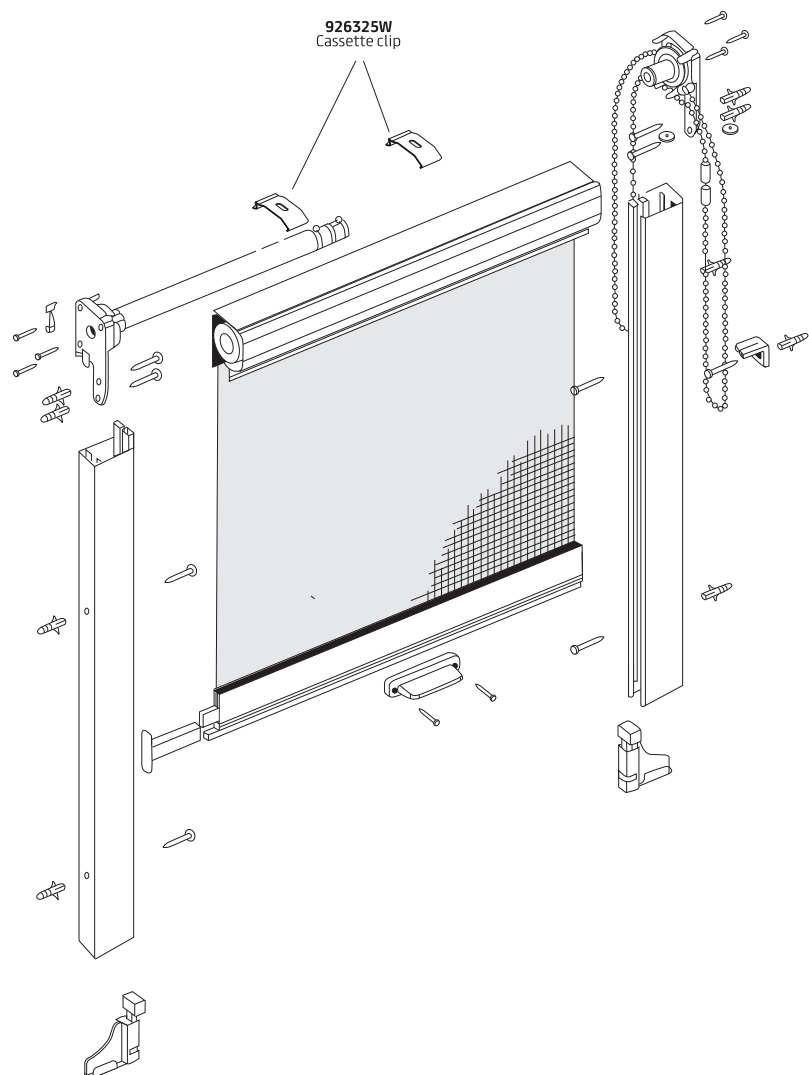
The discreet yet attractive profile of the F30 roll-up system provides a perfect solution for almost all types of window or door openings. A strong focus on a trouble-free quality mechanism with high-grade nylon fittings ensures consistency of operation.

### Specification:

The YewdaleDefiant® F30 retractable insect screen with sidewinder operation as manufactured by Yewdale, +44 (0)1268 570900. Roll-up flame retardant, rot-proof PVC coated fibreglass mesh within white powder-coated aluminium cassette, guide channels and bottom bar. Supported by sturdy metal brackets and incorporating plastic control chain.

## Insect Screen Specification Guide

Model	Min / Max Width	Min / Max Drop	Max M <sup>2</sup>	Cassette Size (HxD)	Side Channel Size (WxD)
F30	800 / 1600	400 / 2500	3.5	56 x 43 mm	40 x 22 mm



This product range comes with a full Lifetime Warranty as standard.