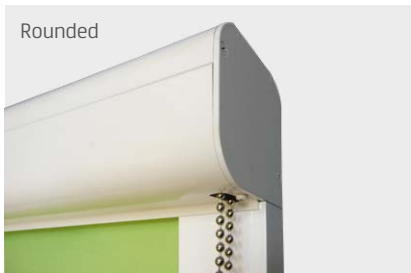


# C40 Sidewinder

YewdaleDefiant® Cassetted Blinds



## C40 Sidewinder

### Features:

All the YewdaleDefiant® C40 sidewinder cassette blinds come with an enclosed aluminium headbox and side channels as standard. The cassette is designed for top or face fixing and accommodates 32, 45, 53 or 70mm grooved aluminium barrels, depending on blind size and fabric weight. Fabric is locked into groove in barrel and features aluminium bottom bar with pile seal. A robust Slipstream® sidewinder mechanism provides the effective means of operation with the use of metal control chain, held in place by a chain tidy. Studs fitted at edge of fabric to retain it within side channels. Black or white hardware as standard.

### Benefits:

The excellent performance of the C40 cassetted blind is further enhanced by the addition of side channels, securing the fabric and bottom bar, whilst providing light exclusion if blackout fabric is used. The entire range is available to order with square or rounded headboxes which protect the fabric. The quality sidewinder mechanisms are simple to operate and allow accurate control of blind position. Our cassette blind systems are backed by our lifetime warranty.

You can install our C40 cassette blind using our new goalpost installation technique, which simplifies the installation. Our new end plates allow the side channels to be attached to the headbox and installed as a frame, reducing the installation time.

### Options:

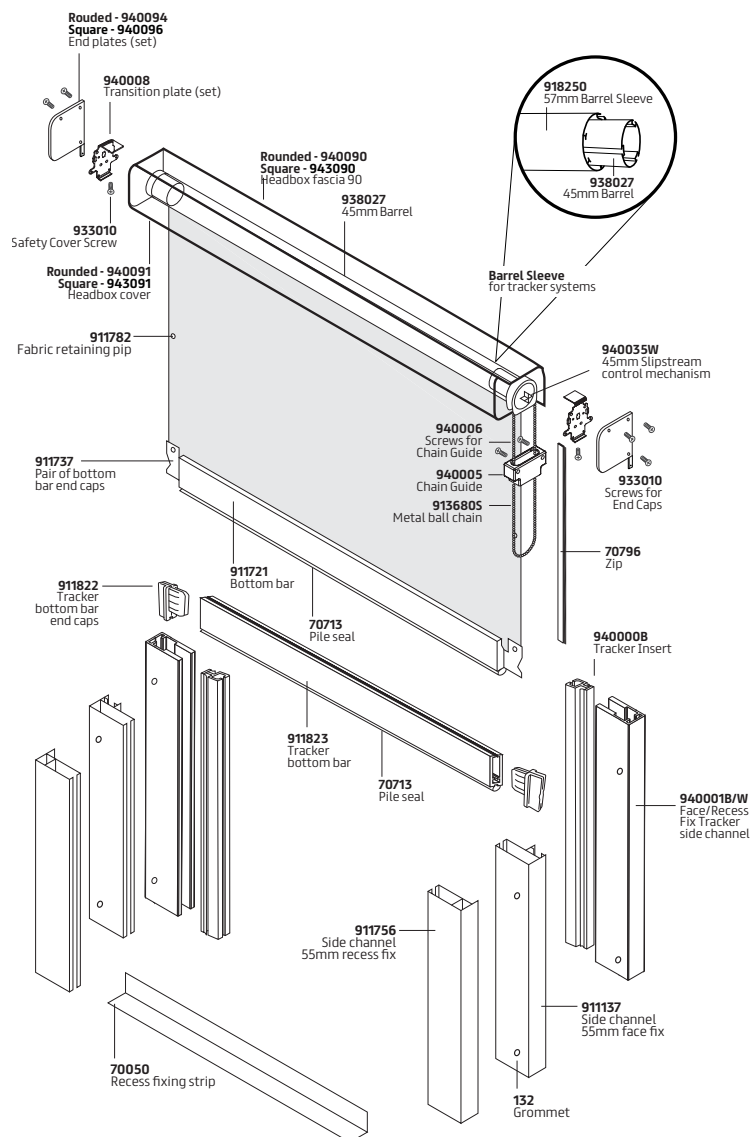
Square or rounded headboxes; Black or white hardware; Without side channels, C20-60/90/120; Tracker fabric retaining system; Available in any RAL colour.

### Specification:

YewdaleDefiant® C40-60/90/120 cassetted blind with side channels as manufactured by Yewdale, +44 (0)1268 570900. Flame retardant fabric from the YewdaleDefiant® range, locked into grooved 32/45/53/70mm aluminium barrel along with aluminium bottom bar as standard. Black/white aluminium cassette, side channels and bottom bar and incorporating metal control chain. Please note: caution should be used when installing in drafty conditions - blinds should not be left down in the situation of open windows.

## Cassetted Blind Profile Dimension Guide

Model	Cassette Size (HxD)	Barrel Size Ø	Side Channel Size (WxD)
C40-60	Rounded / Square - 77 x 73mm	32mm	55 x 13mm
C40-90	Rounded / Square - 105 x 95mm	45mm	55 x 13mm
C40-120	Rounded / Square - 140 x 120mm	53 / 70mm	55 x 13mm



Find this product on NBS Source



This product range comes with a full Lifetime Warranty as standard.