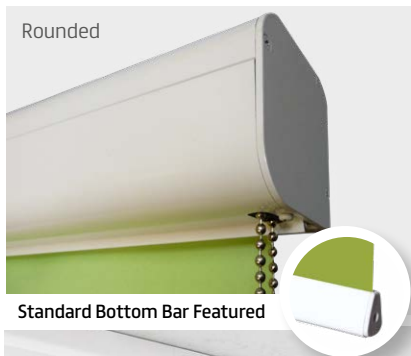


C20 Sidewinder

YewdaleDefiant® Cassetted Blinds



C20 Sidewinder

Features:

The YewdaleDefiant® C20 sidewinder cassette blind comes with an enclosed aluminium headbox as standard. This cassette is designed for top or face fixing and accommodates 32, 45, 53 or 70mm grooved aluminium barrels, depending on blind size and fabric weight. Fabric is locked into a groove in the barrel and features an aluminium bottom bar. A robust Slipstream® sidewinder mechanism provides the effective means of operation. Black or white hardware as standard.

Benefits:

The excellent performance of a YewdaleDefiant® cassetted blind is further enhanced by its quality sidewinder mechanism, which is simple to operate and provides accurate control of the blind's position. The sturdy metal control chain is held in place by a chain tidy. We manufacture both square and rounded headboxes, allowing you to choose the style that suits the environment.

Options:

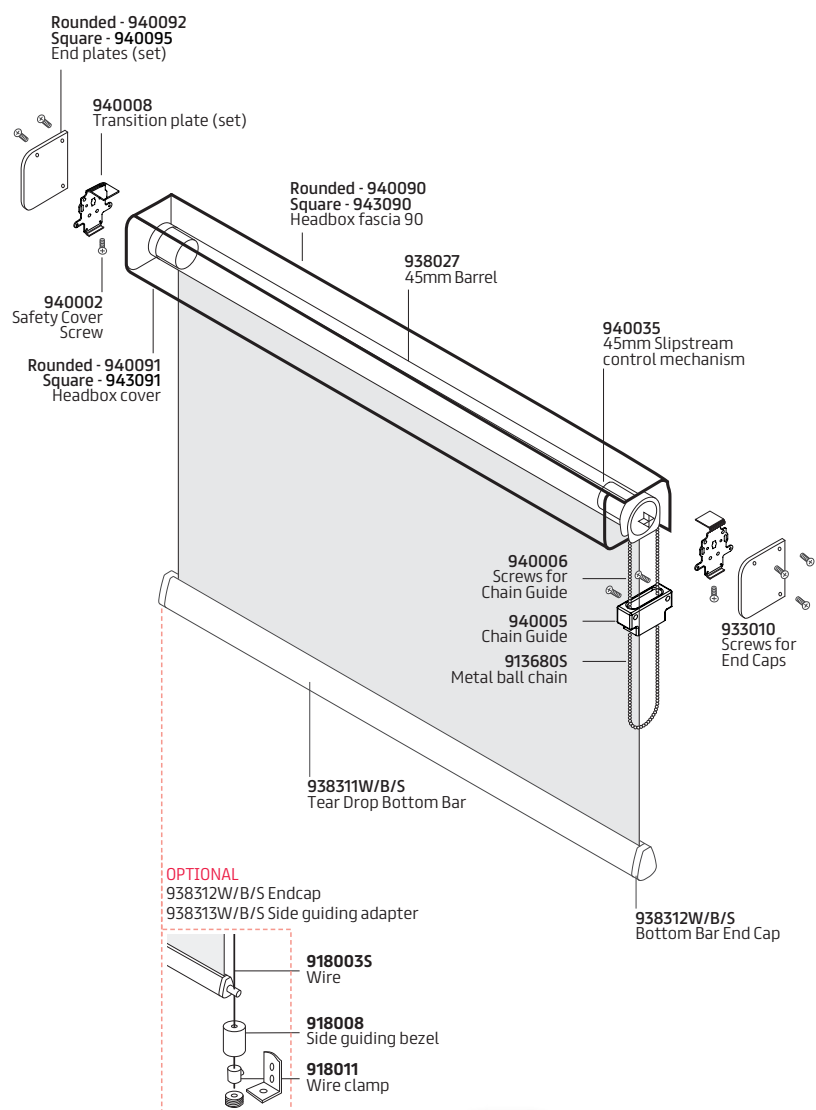
Square or rounded headboxes; Black or white hardware; With side channels, C40-60/90/120. Wire side-guiding system; Available in any RAL colour.

Specification:

YewdaleDefiant® C20-60/90/120 cassetted blind as manufactured by Yewdale, +44(0)1268 570900. Flame retardant fabric from the YewdaleDefiant® range, locked into grooved 32/45/53/70mm aluminium barrel along with aluminium bottom bar as standard. Black/white aluminium cassette and bottom bar and incorporating metal control chain.

Cassetted Blind Profile Dimension Guide

Model	Cassette Size (HxD)	Barrel Size Ø	Side Channel Size (WxD)
C20-60	Rounded / Square - 77 x 73mm	32mm	n/a
C20-90	Rounded / Square - 105 x 95mm	45mm	n/a
C20-120	Rounded / Square - 140 x 120mm	53 / 70mm	n/a



Find this product
on NBS Source



This product range
comes with a full
Lifetime Warranty
as standard.