

# DEFIANT<sup>®</sup>

 **CASSETTED BLINDS**

 **BLACKOUT UNITS**



DEFIANT

## Defiant cassetted blinds and blackout units

All Defiant blinds are carefully built to exacting standards, giving years of trouble-free service and are covered by a 5 year guarantee. The superior design features and quality components enable them to be confidently specified for the most demanding environments. Many Defiant blinds feature vandal-resistant controls and mechanisms, and are frequently to be seen in hospitals, schools, colleges and other public buildings, as well as the regular commercial and residential applications.

The Defiant fabrics programme encompasses a vast range of fabrics, many of which are flame-retardant to government standards. Fabric types include dim-out, black-out, solar reflective, sun-screen and solar film.

Defiant blinds are available through a nationwide network of customer / distributors, with experienced installation and service teams providing an unrivalled level of support.

Defiant cassetted blinds give a smooth contemporary style to any window, and help to protect the blind fabric from dust or damage. The C2 cassettes are simply a pleasing and modern alternative to standard roller blinds, whilst the C4 includes attractive aluminium side channels to complement the cassette. These help to retain the fabric in position, and will also give a degree of light exclusion when used in conjunction with blackout fabric. Defiant cassetted blinds are available in four cassette sizes, with a choice of sidewinder, slow-rise spring, geared crank or motorised control.

Defiant blackout units (the C7 range) are high performance blinds with a very high degree of light exclusion. Suitable for photographic and medical environments, and widely used in conference rooms, laser rooms, lecture theatres and laboratories, their headboxes and side channels have brush seals and light-transfer baffles to ensure the greatest possible level of light exclusion. They are available with, spring, geared crank or motorised control.



**Selector Chart for all Cassetted Blinds and Blackout Units**

Control type	Cassette size									
	Cassetted				Cassetted with side channels				Blackout unit	
	45mm	65mm	85mm	115mm	45mm	65mm	85mm	115mm	100mm	Overhead 100mm
Sidewinder	C20-45	C20-65	C20-85	C20-115	C40-45	C40-65	C40-85	C40-115	-	-
Spring	C22-45	C22-65	C22-85	-	C42-45	C42-65	C42-85	-	C72	C72
Geared crank	-	C24-65	C24-85	C24-115	-	C44-65	C44-85	C44-115	C74	C76
Electric 24v DC	-	C25-65	C25-85	-	-	C45-65	C45-85	-	-	-
Electric 240v AC	-	-	C55-85	C55-115	-	-	C65-85	C65-115	C75	C77

### Maintenance

All Defiant cassetted and blackout blinds are designed to require low maintenance. The components and mechanisms are made from durable materials and will not corrode in normal use. In the event of damage most components are easily replaceable. Fabrics are designed to have high levels of stability and colour fastness.

## C40 Sidewinder



**Features:** C40-45: Aluminium cassette 45 x 51mm with plastic end plates, incorporating a slim sidewinder mechanism with metal control chain. Cassette has top fix or face-fix brackets. Fabric mounted on 23mm aluminium barrel, with 8 x 30mm bottom bar running in 40mm face or recess-fix side channels. Studs fitted at edge of fabric to retain it within side channels. Black or white hardware as standard. C40-65: Aluminium cassette 65 x 74mm with metal end plates. Strong sidewinder mechanism at right, operated by metal control chain. Cassette has top fix or face-fix brackets. Fabric mounted on 32mm aluminium barrel, with 12 x 42mm bottom bar running in 55mm face or recess-fix side channels. Studs fitted at edge of fabric to retain it within side channels. Black or white hardware as standard. C40-85: As C40-65 apart from: cassette size 85 x 97mm and barrel 36mm. C40-115: As C40-85 apart from: cassette size 115 x 132mm and barrel 53mm.

**Benefits:** The excellent performance of a Defiant cassetted blind is further enhanced by the addition of side channels, giving positive location of the fabric and bottom bar, and a degree of light exclusion if blackout fabric is used. The quality sidewinder mechanisms are simple to operate and allow accurate control of blind position.

**Options:** Black or white hardware: Without side channels, C20-45/65/85/115

**Specification:** Defiant C40-45/65/85/115 cassetted blind with side channels. Black/white aluminium cassette, side channels and bottom bar; and sidewinder operation with metal control chain. Or without side channels, C20-45/65/85/115. Black/white aluminium cassette, bottom bar; and sidewinder operation with metal control chain.

As manufactured by Yewdale Bridge, 01268 570900. Flame retardant fabric/blackout fabric from Defiant range  
**Please refer to NBS Plus N10 240**

## C42 Slow-rise spring



**Features:** C42-45: Aluminium cassette 45 x 51mm with plastic end plates and top-fix or face-fix brackets. Fabric mounted on 23mm barrel housing a premium quality spring with decelerator mechanism. Fabric edge fitted with studs to retain it within 40mm face or recess-fix side channels. 8 x 30mm aluminium bottom bar with handle and click stops to hold blind at closed position. Black or white hardware as standard. C42-65: Aluminium cassette 65 x 74mm with metal end plates and top-fix or face-fix brackets. Fabric mounted on 32mm aluminium barrel housing a premium quality spring with decelerator mechanism. Fabric edge fitted with studs to retain it within 55mm face or recess-fix channels. 12 x 42mm aluminium bottom bar with handle, and click stops to hold blind at closed position. Black or white hardware as standard. C42-85: As C42-65 apart from: cassette size 85 x 97mm and barrel 36mm.

**Benefits:** An attractive metal-framed blind with the added appeal of slow-rise technology. Generally used in dim-out applications with blackout fabric, or as an insect screen with mesh fabric, as it has no mid-point stopping positions.

**Options:** Black or white hardware.

**Specification:** Defiant C42-45/65/85 cassetted blind with side channels. Black/white aluminium cassette, side channels and bottom bar, with slow-rise spring operation. Or without side channels, C22-45/65/85. Black/white aluminium cassette, bottom bar; and sidewinder operation with slow-rise spring operation.

As manufactured by Yewdale Bridge, 01268 570900. Flame retardant fabric/blackout fabric from Defiant range  
**Please refer to NBS Plus N10 240**

## C44 Crank operation



**Features:** C44-65: Aluminium cassette 65 x 74mm with metal end plates and top-fix or face-fix brackets. A compact medium duty gear mechanism is operated by a fixed crank handle. Fabric mounted on 36mm aluminium barrel, with 12 x 42mm bottom bar running in 55mm face or recess-fix side channels. Studs fitted at edge of fabric to retain it within side channels. Black or white hardware as standard. C44-85: Aluminium cassette 85 x 97mm with metal end plates and top or face-fix brackets. A heavy duty gear mechanism is operated by a fixed crank handle. Fabric mounted on 53mm heavy-duty grooved aluminium barrel, with 12 x 42mm bottom bar running in 55mm face or recess-fix side channels. Studs fitted at edge of fabric to retain it within side channels. Black or white hardware as standard. C44-115: as C44-85 apart from cassette size 115 x 132mm.

**Benefits:** With its aluminium side channels and powerful gear controls the C44 will perform dependably in all kinds of contract applications. The optional detachable crank gives the added advantage of secure control if required.

**Options:** Black or white hardware; Detachable crank handle.

**Specification:** Defiant C44-65/85/115 cassetted blind with side channels. Black/white aluminium cassette, side channels and bottom bar; with geared crank operation. Or without side channels, C24-65/85/115. Black/white aluminium cassette, bottom bar; and sidewinder operation with geared crank operation.

As manufactured by Yewdale Bridge, 01268 570900. Flame retardant fabric/blackout fabric from Defiant range  
**Please refer to NBS Plus N10 240**

## C45 Electric operation 24v



**Features:** C45-65: Aluminium cassette 65 x 74mm with metal end plates and top-fix or face-fix brackets. A compact 24V DC motor is housed within a 28mm aluminium barrel to which the fabric is attached. The motor is controlled by a switch/transformer which may be surface or flush mounted. Fabric has a 12 x 42mm bottom bar, running in 55mm face or recess side channels. Studs fitted at edge of fabric to retain it within side channels. Black or white hardware as standard. C45-85: As C45-65 apart from: cassette size 85 x 97mm; top or face-fix brackets for cassette.

**Benefits:** Fingertip control and a slim yet sturdy aluminium frame help this blind to lend an air of luxury to any environment. With the remote and/or group control option almost any control configuration can be achieved.

**Options:** Black or white hardware; Remote and/or group control systems in place of single switch.

**Specification:** Defiant C45-65/85 cassetted blind with side channels. Black/white aluminium cassette, side channels and bottom bar; with aluminium barrel and 24V DC motor controlled by switch/transformer. Or without side channels, C25-65/85. Black/white aluminium cassette, bottom bar; and sidewinder operation and 24V DC motor controlled by switch/transformer.

As manufactured by Yewdale Bridge, 01268 570900. Flame retardant fabric/blackout fabric from Defiant range  
**Please refer to NBS Plus N10 240**

## C65 Electric operation 240v



**Features:** C65-85: Aluminium cassette 85 x 97mm with metal end plated and top-fix or face-fix brackets. A heavy duty 240v motor housed within a 53mm barrel to which the fabric is attached. The motor is controlled by a switch which may be surface or flush mounted. Fabric has a 12 x 42mm bottom bar, running in 55mm side channels. Studs fitted at edge of fabric to retain it within side channels. Black or white hardware as standard. C65-115: As C65-85 apart from: cassette size 115 x 132mm.

**Benefits:** Finger tip control of a heavy duty cassette blind. With almost any control option, this blind is suitable for many environments.

**Options:** Black or white hardware; remote and/or group control systems in place of single switch.

**Specification:** Defiant C65-85/115 cassetted blind with side channels. Black/white aluminium cassette, side channels and bottom bar; and electric 240v operation. Or without side channels, C55-85/115. Black/white aluminium cassette, side channels and bottom bar; and electric 240v operation.

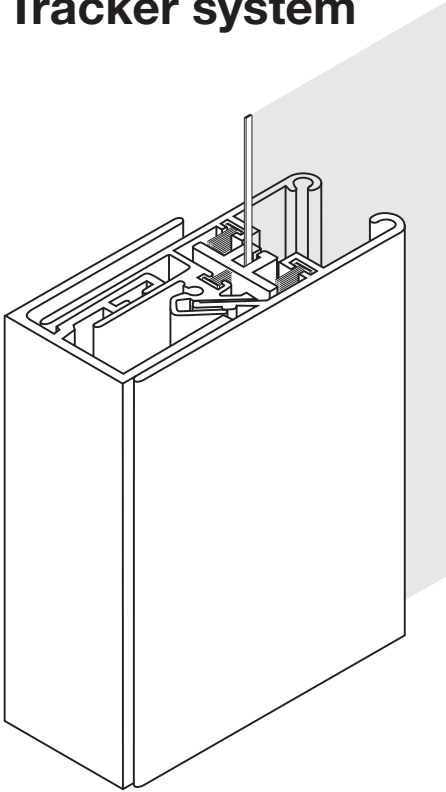
As manufactured by Yewdale Bridge, 01268 570900. Flame retardant fabric/blackout fabric from Defiant range.  
**Please refer to NBS Plus N10 240**

### Maximum sizes

Based on fabric weight of 400g/m<sup>2</sup> e.g. Dart. Larger sizes may be possible with lighter/thinner fabrics

Casseted blinds	Min Width	Max Width	Max Drop	Max M <sup>2</sup>	Casseted blinds with side channels	Min Width	Max Width	Max Drop	Max M <sup>2</sup>
C20-45 Sidewinder	300	1200	1700	2.0	C40-45 Sidewinder	300	1200	1200	1.5
C20-65 Sidewinder	300	2000	2500	5.0	C20-65 Sidewinder	300	2000	1700	3.5
C20-85 Sidewinder	300	2300	3000	6.0	C20-85 Sidewinder	300	2300	2300	5.2
C20-115 Sidewinder	300	4000	4000	10.0	C40-115 Sidewinder	300	4000	3600	10.0
C22-45 Slow-rise spring	400	1200	1700	2.0	C42-45 Slow-rise spring	400	1200	1200	1.5
C22-65 Slow-rise spring	500	2000	2500	5.0	C42-65 Slow-rise spring	500	2000	1700	3.5
C22-85 Slow-rise spring	500	2300	3000	6.0	C42-85 Slow-rise spring	500	2300	2300	5.2
C24-65 Crank operation	400	2600	2000	5.2	C44-65 Crank operation	400	2600	1700	4.4
C24-85 Crank operation	400	2600	3000	7.5	C44-85 Crank operation	400	2600	2300	6.0
C24-115 Crank operation	400	4000	4000	11.0	C44-115 Crank operation	400	4000	3600	11.0
C25-65 Electric 24V DC	500	2000	2600	5.2	C45-65 Electric 24V DC	500	2000	2000	4.0
C25-85 Electric 24V DC	500	2000	3000	6.0	C45-85 Electric 24V DC	500	2000	2600	5.2
C55-85 Electric 240V AC	700	2600	3000	7.8	C65-85 Electric 240v AC	700	2600	2600	6.5
C55-115 Electric 240V AC	700	4000	4000	14.0	C65-115 Electric 240V AC	700	4000	3600	12.0

## Tracker system



**Features:** The unique Tracker side channel guarantees 100% fabric fastness and completely eradicates the common problem of 'fabric blowing/been pushed out of the side channel'. The channel measures 63 x 30mm and is available in black or white hardware. Suitable for the C40/C44/C45 and C65, the Tracker side channel will cater for both recess and face fix applications. The cover plate ensures all fixings are concealed within the channel along with brush seals to provide constant tension.

**Benefits:** The excellent performing side channel works with nearly all cassetted blinds. Ideal for areas such as schools, colleges, universities and hospitals. The unique channel will cater for uneven reveals and provides maximum light exclusion.

**Options:** Black or white hardware.

**Specification:** C40T/44T/45T/65T - 45/65/85/115. Cassetted blind with Tracker side channels. Black or white aluminium cassette, side channels and bottom bar. As manufactured by Yewdale Bridge, 01268 570900. Flame retardant fabric/blackout fabric from Defiant range. **Please refer to NBS Plus N10 240**

## Laser blinds for operating theatres



**Features:**

Laser Material to protect from Stray Laser Radiation is available on all Defiant roller blinds. Designed to use as passive guards where Class 3B or Class 4 lasers are in use. All material is certified to EN 60824 -4 (Safety of Laser Products Part 4: Laser Guards) and is fire proof.

**Benefits:**

Available on all Defiant roller blind systems including Door Vision Panel Flaps to ensure there is a solution to virtually all laser blocking requirements. All blinds are made to measure.

**Options:**

Laser fabric available in Blue/black; Chain, crank, electric operation; Vision panel flaps;

**Specification:**

Defiant Laser products as manufactured by Yewdale Bridge, 01268 570900. Certified to EN60824-4 (Safety of Laser Products Part 4: Laser Guards)

Please refer to NBS Plus

## C72 Spring control



**Features:** All hardware in black powdercoated aluminium, with moulded black plastic fittings. Headbox 100 x 100mm, enclosing 57mm aluminium barrel with heavy-duty spring. Blackout fabric with heavy-duty bottom bar, running in 75mm side channels. 75mm bottom channel with corner joints for positive attachment to side channels. Light-transfer baffles within side and bottom channels, and side channels and headbox fitted with pileseal light sealing. All-round face or recess fitting with adjustable adaptor strips. Control cord within side channels, with guide pulleys in corner joints and at centre of bottom channel.

**Benefits:** Modern and attractive redesign of the traditional sprung blackout blind. Springs are smooth and powerful, and give excellent fabric tensioning when the blind is closed. This self-tensioning also enables the C72 to be used in sloping or even horizontal applications, giving an economical alternative to the twin-headbox overhead units.

**Options:** White hardware.

**Specification:** Defiant C72 blackout unit as manufactured by Yewdale Bridge, 01268 570900. Black/white powder-coated aluminium headbox, side and bottom channels and bottom bar, with spring operation. Flame retardant blackout fabric from Defiant range.

**Please refer to NBS Plus N10 240**

## C74 Crank operation



**Features:** All hardware in black powdercoated aluminium, with moulded black plastic fittings. Headbox 100 x 100mm, enclosing 53mm grooved aluminium barrel with heavyduty gear mechanism at right, controlled by fixed crank handle. Blackout fabric with heavyduty bottom bar, running in 75mm side channels. 75mm bottom channel with corner joints for positive attachment to side channels. Light-transfer baffles within side and bottom channels, and side channels and headbox fitted with pile-seal light sealing. All-round face or recess fitting with adjustable adaptor strips.

**Benefits:** The C74 is the blackout unit of choice for many contract applications. It is simple to operate and very strong, covering large windows with ease. It is in use in many schools and hospitals where dependability is an essential requirement, but its sleek good looks are at home wherever high performance light exclusion is called for.

**Options:** White hardware; No bottom channel, with bottom bar running down to sill; Detachable crank handle.

**Specification:** Defiant C74 Blackout unit as manufactured by Yewdale Bridge, 01268 570900. Black/white powder-coated aluminium headbox, side and bottom channels and bottom bar, with geared crank operation. Flame retardant blackout fabric from Defiant range.

**Please refer to NBS Plus N10 240**

## C75 Electric operation



**Features:** All hardware in black powdercoated aluminium with moulded black plastic fittings. Headbox 100 x 100mm, enclosing 53mm grooved aluminium barrel, with powerful 240v AC motor controlled by single switch. Blackout fabric with heavy-duty bottom bar, running in 75mm side channels. 75mm bottom channel with corner joints for positive attachment to side channels. Light-transfer baffles within side and bottom channels, and side channels and headbox fitted with pile-seal light sealing. All-round face or recess fitting with adjustable adaptor strips.

**Benefits:** A premium blackout unit with the luxury of fingertip electrical control. Many different control options are available including RF or infra-red remote, allowing the specifier to integrate the window blackout element into an overall scheme of electrical control systems.

**Options:** White hardware; No bottom channel, with bottom bar running down to sill; Remote and/or group control systems.

**Specification:** Defiant C75 Blackout unit as manufactured by Yewdale Bridge, 01268 570900. Black/white powder-coated aluminium headbox, side and bottom channels and bottom bar, with 240v AC electric operation. Flame retardant blackout fabric from Defiant range.

**Please refer to NBS Plus N10 240**

## C76 Overhead crank



**Features:** Twin headbox unit for sloping or horizontal applications, with all hardware in black powder-coated aluminium with moulded black plastic fittings. Blackout fabric mounted on sprung 57mm aluminium barrel, with heavy-duty bottom bar running in 75mm side channels. Bottom bar attached to two drawtapes within side channels. These tapes are attached, between flanged guides, to the 53mm aluminium drive barrel, operated by gear control and crank handle (C76) or by 240v AC electric motor with switch (C77). Both barrels are enclosed by 100 x 100mm aluminium headboxes. Light-transfer baffles within side channels, and side channels and twin headboxes fitted with pile-seal light sealing. All-round face or recess fitting with adjustable adaptor strips.

**Benefits:** With heavy-duty components and a fabric roller with powerful spring tensioning, these units may be confidently specified for any overhead applications. The C76 with optional detachable crank handle will solve the problem of unauthorised use, whilst the C77 motorised unit is available with a number of remote or group control options including RF and infrared.

**Options:** White hardware; Detachable crank handle (C76); Remote and/or group control systems (C77).

**Specification:** Defiant C76 Crank operation / C77 Electric operation overhead blackout unit as manufactured by Yewdale Bridge, 01268 570900. Black/white powder-coated aluminium twin headboxes, side channels and bottom bar. Flame retardant blackout fabric from Defiant range.

Please refer to NBS Plus N10 240

## C77 Electric operation



**Features:** Twin headbox unit for sloping or horizontal applications, with all hardware in black powder-coated aluminium with moulded black plastic fittings. Blackout fabric mounted on sprung 57mm aluminium barrel, with heavy-duty bottom bar running in 75mm side channels. Bottom bar attached to two drawtapes within side channels. These tapes are attached, between flanged guides, to the 53mm aluminium drive barrel, operated by gear control and crank handle (C76) or by 240v AC electric motor with switch (C77). Both barrels are enclosed by 100 x 100mm aluminium headboxes. Light-transfer baffles within side channels, and side channels and twin headboxes fitted with pile-seal light sealing. All-round face or recess fitting with adjustable adaptor strips.

**Benefits:** With heavy-duty components and a fabric roller with powerful spring tensioning, these units may be confidently specified for any overhead applications. The C76 with optional detachable crank handle will solve the problem of unauthorised use, whilst the C77 motorised unit is available with a number of remote or group control options including RF and infrared.

**Options:** White hardware; Detachable crank handle (C76); Remote and/or group control systems (C77).

**Specification:** Defiant C76 Crank operation / C77 Electric operation overhead blackout unit as manufactured by Yewdale Bridge, 01268 570900. Black/white powder-coated aluminium twin headboxes, side channels and bottom bar. Flame retardant blackout fabric from Defiant range.

Please refer to NBS Plus N10 240

### Maximum sizes

Based on fabric weight of 400g/m<sup>2</sup> e.g. Dart.

Blackout units	Min. Width	Max. Width	Max. Drop	Max. m <sup>2</sup>
C72 Spring control	600	2400	3000	6.0
C74 Crank operation	400	3600	3600	9.0
C75 Electric operation	700	3600	3600	10.8
C76 Overhead - Crank operation	600	2000	2600	4.2
C77 Overhead - Electric operation	700	2000	2600	4.2

### Light exclusion levels

Although no manufacturer will claim to produce a blind capable of 100% light exclusion the Defiant C7 series comes as close to this as is practically possible. The very fact that the fabric must be free to move in its side channels means that there is at least a theoretical possibility of some light transfer round the internal sections of the blind.

The brush seals and light-transfer baffles of the C7 ensure that this is reduced to an absolute minimum.

The installed performance of a blackout unit depends as much on the installation as on the unit itself. Where light exclusion is critical this should be tested, after installation, by shutting out every other source of light, then waiting for 10 minutes in the darkened room. It is surprising how after this time even a 1% leakage of light will become apparent. Any leakage due to installation procedures may then be rectified.

**Yewdale Bridge**

Enterprise Way, Wickford Essex SS11 8DH

Tel: 01268 570900 Fax: 01268 732509

Email: [sales@yewdalebridge.com](mailto:sales@yewdalebridge.com)

[www.yewdalebridge.com](http://www.yewdalebridge.com)